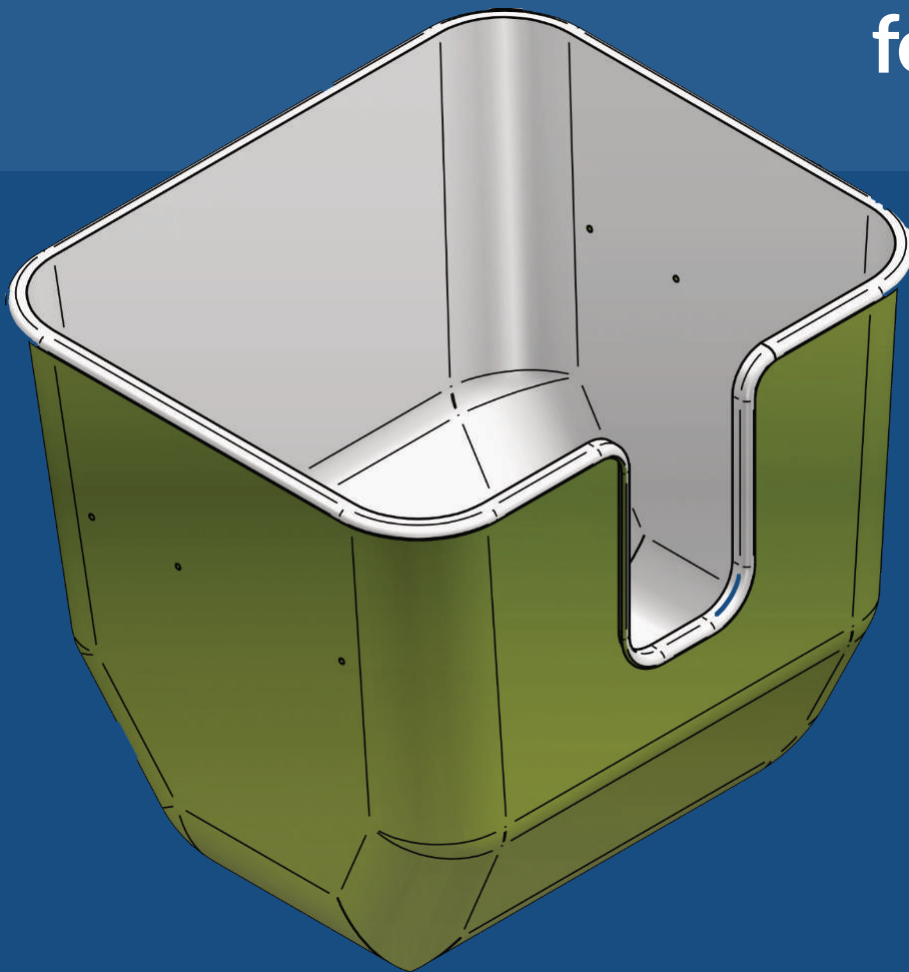


CRFI Controlling and Recording Feed Intake

Feeding station
for animals



Control your farm

BioControl's CRFI is designed for research centers and the demanding dairy and beef farms that want optimal control and insight of animal feed intake and feeding behaviour. The system is very versatile and can be extended with recording of animal weights and water intake. Single modules of the CRFI-system can also be implemented: only access control gates or only mangers for feed intake recording.



Accurate Measurement of Feed Intake

CRFI gives individual animals access to specified mangers that are placed on weighing cells. The purpose is to record individual feed intake, for example to evaluate the feed conversion ratio.

Animals are identified by neck transponders or ear tags. If the cow is allowed access to a specific manger, the gate opens. When the allowed access time for that period is up, the access gate goes up to push the animal away from the manger so that another animal can get to the gate.

The weight of the manger is measured before and after animal access and the weight difference is transferred to the central computer for analysis.

Tare and calibration procedures are easy at the gate.



CRFI is fit for a variety of transponders:

- Collar: DeLaval B-type, Westfalia FDX-B, others
- Ear tags: ISO 11784/11785 HDX and FDX-B

CRFI can be supplied with different manger sizes:

- 100 cm wide
- 120 cm wide

Customized Equipment with Many Possibilities

The manger is placed on a frame and rests on two electronic load cells. By turning the manger it is easy to empty and clean it.

To prevent an animal from pushing out others from the station and stealing a part of the ration, the stations are divided by metal races, or stall dividers that are available for two stall breadths and dimensions.

The complete system for monitoring and controlling the roughage feed intake is also available in a version without the access gate.

It is also possible to add an animal scale to be placed in the concentrate feed station. The animal weight data are then also recorded in the central processor.



CRFI Cows and Bulls

BioControl CRFI stations are made with cattle well-being in mind. The feeding stations are made to be intuitive and easy for them to use, and are suitable for both dairy and beef production settings.

During long hours of observing cattle behaviour, we have identified several challenges with traditional manger-feeding. These, we have systematically eliminated through advanced mechanical, hardware and software engineering. Stealing and sharing of feed, fear of unexpected sounds, and animals blocking feeding space for others were some of the issues to overcome in our development of the CRFI-system.

CRFI Calves

With our smaller mangers, it's possible to integrate calves to your existing dairy or beef production CRFI system.

Made for easy learning of use, and providing and monitoring the feed intake needed for healthy growth. With optional animal weight scales, the farmer or scientist will have easy access to detailed information on the calves' development.

Advantages

- Works with all standard RFID-transponders
- Intuitive use and short learning time
- Animal-friendly design
- Prevention of jumping over manger
- Easy to programme advanced feed plans
- Easy to calibrate and clean
- Small feeders adjusted to animal size

CRFI Sheep and Goat

Sheep and goats also deserve their own premium solution for detailed feed management and data collection. With different animal species comes new challenges. In BioControl, we made sure to scale down our CRFI feeders to match both size and behaviour of the small ruminants.

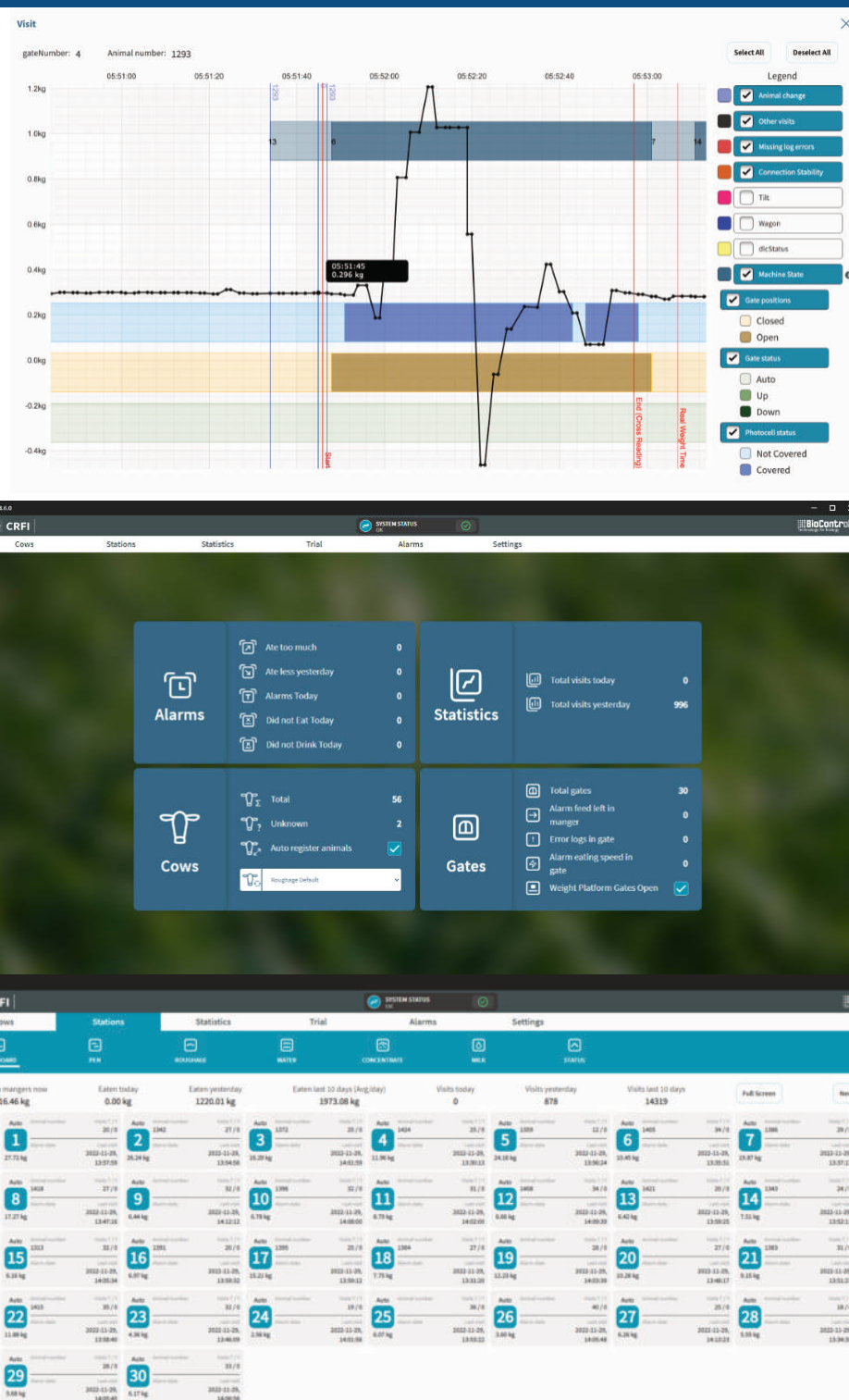
We've also designed specific systems for individual animal weighing, water intake measurement and supplement allocation. Specially adapted lids on top of the mangers and gate solutions have been developed for the mangers to work optimally with the small ruminants.

BioControl provides other devices for small ruminants than CRFI components as well, for example the Sheep Feeder SF60 or Weighing and Sorting System.



CRFI PC and Mobile Applications

In BioControl we know how important is data presentation and user-experience. That's why we created applications both for mobile and PC to present data, show statistics and monitor system and animals health. The BioControl Blackbox, designed and produced by us, is the heart of our system. If the farm PC is down or detached, it will still store and secure your data until the PC is available again.



We also Offer

1. Integration with feed wagons, with sensors detecting feed wagon and automatically setting the CRFI system in filling position. Or direct integration between CRFI and feed wagon systems.
2. A lid or bar on the manger to prevent spilling of feed
3. Small mangers can be used for calves and other species than cattle: goats, sheep and others.
4. CRFI-elements can also be used as 'stand-alone' modules:
 - Access control gate without mangers to give individual animals access to different feeds (hi-value ingredients, minerals, etc.)
 - Mangers on weighing cells without access gates to measure feed intake, or individual animals' feed conversion ratios.